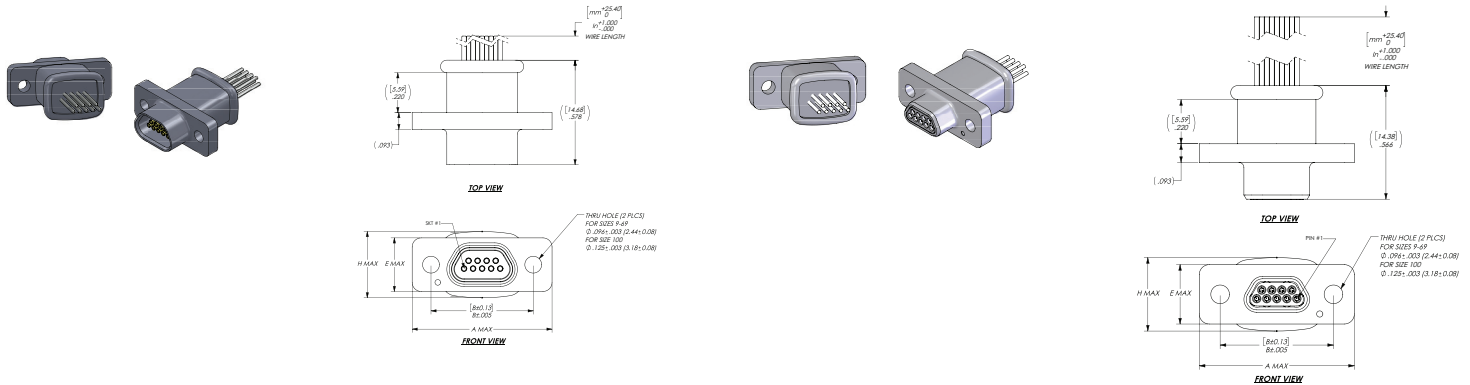


# MICRO-D BANDIT INTEGRAL BACKSHELL

## THE NEXT DESIGN OF HIGH-QUALITY MICRO-D INTERCONNECTS



The sleek Amphenol Micro-D Bandit combines a 2-piece connector plus backshell system into an integral 1-piece design. The benefits of a one-piece unit will save cost, space and reduce weight.

### FEATURES:

- Fully inter-mateable with existing M83513 connectors
- 1-Piece construction
- Lower cost than traditional Micro-D + backshell
- Available in all standard wire options
- Available in all available hardware options
- Identical electrical performance of conventional M83513 design
- RoHS compliant available

### MECHANICAL:

**Shell:** Aluminum alloy  
**Shell Plating:** Anodize, Cadmium, Gold, Iridite/Alodine, Electroless Nickel, Tin  
**Contact:** High performance copper alloy with 50 μ" gold plating over nickel  
**Insulator:** Polyphenylene Sulfide (Ryton)  
**Wire:** NEMA-HP3  
MIL-W-22759/11 (M83513 STD)  
MIL-W-22759/33 (Space Grade)  
Solid Wire uninsulated  
**Hardware:** Stainless Steel, Passivated

### ELECTRICAL:

**Dielectric Withstand Voltage:**  
Seal Level-600 Vac  
70,000' Ft: 150 Vac  
**Contact Rating:** 3A  
**Insulation Resistance:** 5.0 GΩ  
**Contact Resistance:** 8.0 mΩ @ 3A

### ENVIRONMENTAL:

**Temperature Range:** -55°C to +125°C  
(-67°F to +257°F)  
**Vibration:** Per EIA-364-28, condition IV  
**Salt Spray:** Per EIA-364-26, condition B  
**Humidity:** Per EIA-364-31  
**Fluid Immersion:** Per MIL-DTL-83513

# HOW-TO-ORDER

## MICRO-D BANDIT

### PART NUMBER KEY

1. Style	2. Connector Series	3. Insulator Material	4. Shell Finish	5. Connector Size	6. Connector Type	7. Wire Size	8. Wire Type	9. Wire Color/Finish	10. Wire length inches	11. Hardware Options	12. Non Standard Length
-	119	R	C	09	P	2	E	1	A	B	110

<b>1. STYLE</b>	-	Leave blank for standard
	E-	RoHS

<b>2. CONNECTOR SERIES</b>	119	Integrated Backshell Series
----------------------------	-----	-----------------------------

<b>3. INSULATOR MATERIAL</b>	R	Polyphenylene Sulfide (Rylon)
------------------------------	---	-------------------------------

<b>4. SHELL FINISH</b>	C	Cadmium
	N	Electroless Nickel
	G	Gold
	T	Tin
	A	Anodized

<b>5. CONNECTOR SIZE</b>		A	B	E	H
	09	.785 (19.94)	.565 (14.35)	.308 (7.82)	.378 (9.60)
	15	.935 (23.75)	.715 (18.16)	.308 (7.82)	.378 (9.60)
	21	1.085 (27.56)	.865 (21.97)	.308 (7.82)	.378 (9.60)
	25	1.185 (30.10)	.965 (24.51)	.308 (7.82)	.378 (9.60)
	31	1.335 (33.91)	1.115 (28.32)	.308 (7.82)	.378 (9.60)
	37	1.485 (37.72)	1.265 (32.13)	.308 (7.82)	.378 (9.60)
	51	1.435 (36.45)	1.215 (30.86)	.351 (8.92)	.421 (10.69)
	69	1.735 (44.07)	1.515 (38.48)	.351 (8.92)	.421 (10.69)
100	2.170 (55.12)	1.800 (45.72)	.394 (10.01)	.464 (11.79)	

<b>6. CONNECTOR TYPE</b>	S	Receptacle Sockets
	P	Plug Pins

<b>7. WIRE SIZE (AWG)</b>	4	26 (M83513 STD)
	5	25 (Solid wire only)
	6	24

<b>8. WIRE TYPE</b>	<b>GENERAL APPLICATION</b>	
	A	7 STRD per NEMA-HP3 (MIL-W-16878/4)
	B	7 STRD per NEMA-HP3 (Formerly MIL-W-16878/6)
	C	19 STRD per NEMA-HP3 (Formerly MIL-W-16878/4)
	D	19 STRD per NEMA-HP3 (Formerly MIL-W-16878/6)
	<b>MILITARY/AEROSPACE APPLICATIONS</b>	
	E	Per MIL-W-22759/11 (M83513 STD)
	F	Per MIL-W-22759/33 (SPACE GRADE)
	L	Solid wire uninsulated

# HOW-TO-ORDER

## MICRO-D BANDIT

### PART NUMBER KEY

1. Style	2. Connector Series	3. Insulator Material	4. Shell Finish	5. Connector Size	6. Connector Type	7. Wire Size	8. Wire Type	9. Wire Color/Finish	10. Wire length inches	11. Hardware Options	12. Non Standard Length
-	119	R	C	09	P	2	E	1	A	B	110

9. WIRE COLOR/FINISH	1	All White (M83513 STD)
	2	All Yellow
	3	Solid wire uninsulated, tin plated
	4	Solid wire uninsulated, gold plated
	5	Color coded per MIL-STD-681 system 1
	6	1st 10 colors black thru white repeated (M83513 STD)

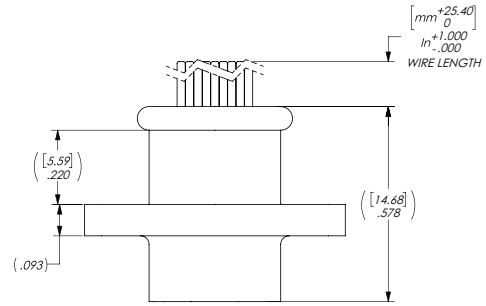
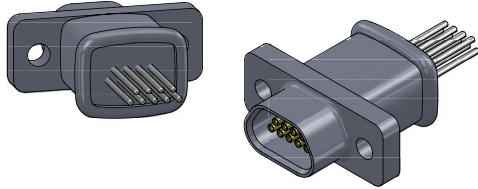
10. WIRE LENGTH INCHES (+1.00/-0.00)	A	18.00
	B	36.00
	C	72.00
	D	0.50 (solid wire only)
	E	1.00 (solid wire only)
	F	Non STD length

11. HARDWARE OPTIONS	B	STD mounting
	P	Jackpost
	M2	Hex head jackscrew
	M5	Slot head jackscrew

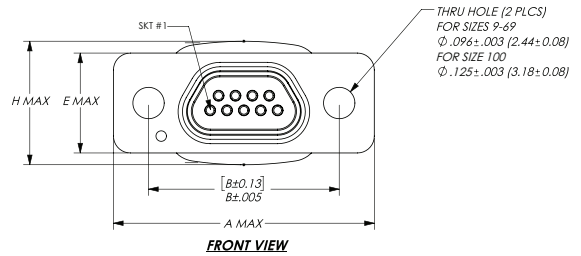
12. NON STANDARD LENGTH	Standard Wire (no decimal values) e.g. 1=1 inch, 100= 100 inches Solid wire= (0.109 < length < 1.00) e.g.110 = 110 inches, 999 = .999 inches
-------------------------	---

# MICRO-D BANDIT SOCKET

## INTEGRAL BACKSHELL



**TOP VIEW**

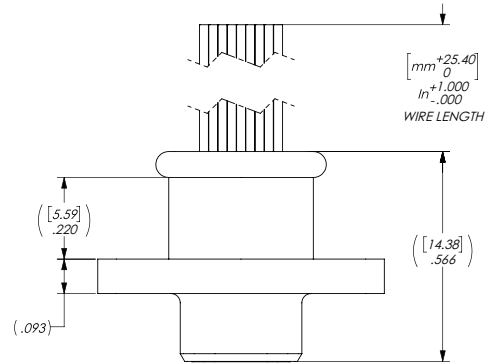
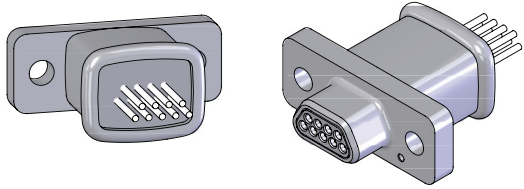


**FRONT VIEW**

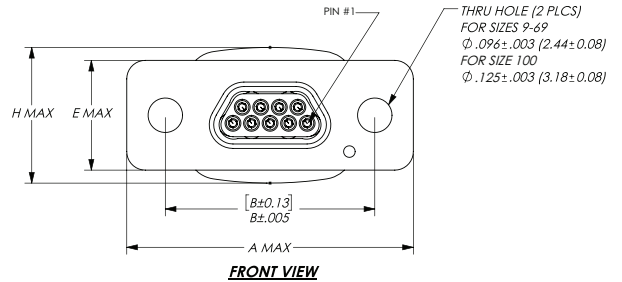
	A	B	E	H
<b>09</b>	.785 (19.94)	.565 (14.35)	.308 (7.82)	.378 (9.60)
<b>15</b>	.935 (23.75)	.715 (18.16)	.308 (7.82)	.378 (9.60)
<b>21</b>	1.085 (27.56)	.865 (21.97)	.308 (7.82)	.378 (9.60)
<b>25</b>	1.185 (30.10)	.965 (24.51)	.308 (7.82)	.378 (9.60)
<b>31</b>	1.335 (33.91)	1.115 (28.32)	.308 (7.82)	.378 (9.60)
<b>37</b>	1.485 (37.72)	1.265 (32.13)	.308 (7.82)	.378 (9.60)
<b>51</b>	1.435 (36.45)	1.215 (30.86)	.351 (8.92)	.421 (10.69)
<b>69</b>	1.735 (44.07)	1.515 (38.48)	.351 (8.92)	.421 (10.69)
<b>100</b>	2.170 (55.12)	1.800 (45.72)	.394 (10.01)	.464 (11.79)

# MICRO-D BANDIT PIN

## INTEGRAL BACKSHELL



**TOP VIEW**

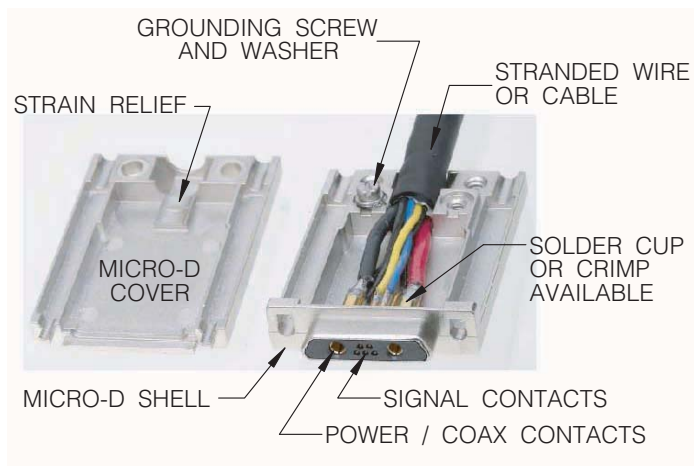
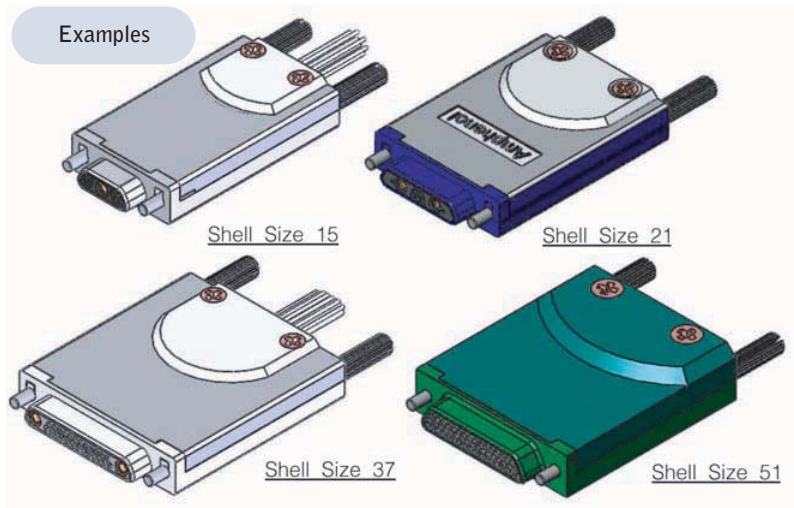
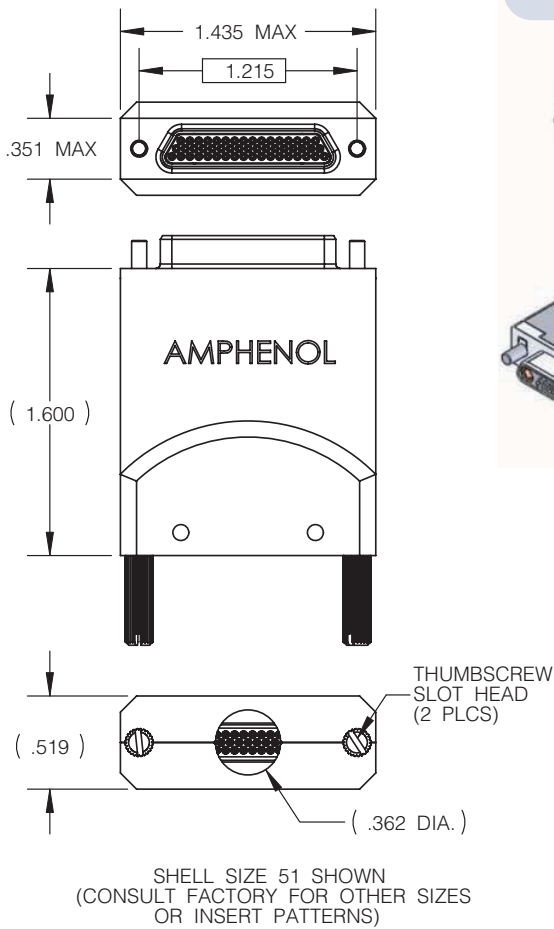


**FRONT VIEW**

	A	B	E	H
<b>09</b>	.785 (19.94)	.565 (14.35)	.308 (7.82)	.378 (9.60)
<b>15</b>	.935 (23.75)	.715 (18.16)	.308 (7.82)	.378 (9.60)
<b>21</b>	1.085 (27.56)	.865 (21.97)	.308 (7.82)	.378 (9.60)
<b>25</b>	1.185 (30.10)	.965 (24.51)	.308 (7.82)	.378 (9.60)
<b>31</b>	1.335 (33.91)	1.115 (28.32)	.308 (7.82)	.378 (9.60)
<b>37</b>	1.485 (37.72)	1.265 (32.13)	.308 (7.82)	.378 (9.60)
<b>51</b>	1.435 (36.45)	1.215 (30.86)	.351 (8.92)	.421 (10.69)
<b>69</b>	1.735 (44.07)	1.515 (38.48)	.351 (8.92)	.421 (10.69)
<b>100</b>	2.170 (55.12)	1.800 (45.72)	.394 (10.01)	.464 (11.79)

# MICRO-D WITH INTEGRATED EMI BACKSHELL

## INCORPORATING COAX, TWINAX AND TRIAX CONTACTS



### FEATURES

- Easy assembly
- All-in-one Micro-D connector and EMI backshell
- Eliminate the use of retaining clip (E-clip) hardware
- Built in strain relief
- Grounding screw and washer included
- Solder cup and wire termination available
- Sizes 9 thru 100 available
- Standard MIL-DTL-83513 insert pattern or custom insert pattern available
- Signal / Power / Coaxial contacts available
- Consult factory for angled cable exit or specific cable diameter requirement

### MATERIAL & FINISH

**Material:** Aluminum alloy  
(consult factory for zinc alloy)

**Finish:** Electroless nickel

**Hardware:** Stainless steel

### PERFORMANCE INFORMATION

- D.W.V. 600 VAC (at sea level)
- Insulation resistance: 5000 mega ohms min.
- Temperature rating: -55° C to +125° C  
(+85° C for zinc alloy)
- Designed to meet MIL-DTL-83513 performance standards